



Aurora Refrigeration

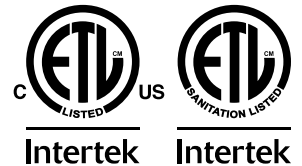
Models RE-CN-0041E-HC, 0014E-H, 0023E-HC, 0045E-HC, 0009E-HC,
0045EB-HC, 0009EB-HC

Items 59026, 59035, 59036, 59032, 59033, 59132, 59133

Instruction Manual



Revised - 11/28/2024



Toll Free: 1-800-465-0234
Fax: 905-607-0234
Email: service@omcan.com
www.omcan.com



Table of Contents

Model RE-CN-0041E-HC / Model RE-CN-0014E-H
Model RE-CN-0023E-HC / Model RE-CN-0045E-HC
Model RE-CN-0009E-HC / Model RE-CN-0045EB-HC
Model RE-CN-0009EB-HC

| Section | Page |
|--------------------------------|-------------|
| Disclaimer ----- | 3 |
| General Information ----- | 4 - 5 |
| Safety and Warranty ----- | 5 - 7 |
| Technical Specifications ----- | 8 - 10 |
| Installation ----- | 10 - 11 |
| Maintenance ----- | 11 - 12 |
| Troubleshooting ----- | 12 - 13 |
| Parts Breakdown ----- | 14 - 25 |
| Electrical Schematics ----- | 26 - 29 |
| Notes ----- | 30 |
| Warranty Registration ----- | 31 |

OMCAN IS NOT RESPONSIBLE FOR ANY DAMAGES DUE TO WATER LEAKS. WARRANTY FOR WATER LEAKS IS VOID IF THE AMBIENT ROOM TEMPERATURE EXCEEDS 75°F AND 55% RELATIVE HUMIDITY, AND THE APPLIANCE DRAIN IS NOT CONNECTED DIRECTLY TO A FLOOR DRAIN.

OMCAN N'EST PAS RESPONSABLE DES DOMMAGES DUS AUX FUITES D'EAU. LA GARANTIE POUR LES FUITES D'EAU EST ANNULÉE SI LA TEMPÉRATURE AMBIANTE DE LA PIÈCE DÉPASSE 75°F ET 55% D'HUMIDITÉ RELATIVE, ET SI LE DRAIN DE L'APPAREIL N'EST PAS RACCORDÉ DIRECTEMENT À UN DRAIN DE PLANCHER.

OMCAN NO SE HACE RESPONSABLE DE LOS DAÑOS CAUSADOS POR FUGAS DE AGUA. LA GARANTÍA POR FUGAS DE AGUA QUEDA ANULADA SI LA TEMPERATURA AMBIENTE SUPERA LOS 75°F Y EL 55% DE HUMEDAD RELATIVA, Y EL DESAGÜE DEL APARATO NO ESTÁ CONECTADO DIRECTAMENTE A UN DESAGÜE DE PISO.

General Information

Omcan Manufacturing and Distributing Company Inc., Food Machinery of America, Inc. dba Omcan and Omcan Inc. are not responsible for any harm or injury caused due to any person's improper or negligent use of this equipment. The product shall only be operated by someone over the age of 18, of sound mind, and not under the influence of any drugs or alcohol, who has been trained in the correct operation of this machine, and is wearing authorized, proper safety clothing. Any modification to the machine voids any warranty, and may cause harm to individuals using the machine or in the vicinity of the machine while in operation.

CHECK PACKAGE UPON ARRIVAL

Upon receipt of an Omcan shipment please inspect for external damage. If no damage is evident on the external packaging, open carton to ensure all ordered items are within the box, and there is no concealed damage to the machine. If the package has suffered rough handling, bumps or damage (visible or concealed), please note it on the bill of lading before accepting the delivery and contact Omcan within 24 hours, so we may initiate a claim with the carrier. A detailed report on the extent of the damage caused to the machine must be filled out within three days, from the delivery date shown in the shipping documents. Omcan has no recourse for damaged products that were shipped collect or third party.

Before operating any equipment, always read and familiarize yourself with all operation and safety instructions.

Omcan would like to thank you for purchasing this machine. It's of the utmost importance to save these instructions for future reference. Also save the original box and packaging for shipping the equipment if servicing or returning of the machine is required.

Omcan Fabrication et distribution Compagnie Limitée et Food Machinery d'Amérique, dba Omcan et Omcan Inc. ne sont pas responsables de tout dommage ou blessure causé du fait que toute personne ait utilisé cet équipement de façon irrégulière. Le produit ne doit être exploité que par quelqu'un de plus de 18 ans, sain d'esprit, et pas sous l'influence d'une drogue ou d'alcool, qui a été formé pour utiliser cette machine correctement, et est vêtu de vêtements de sécurité appropriés. Toute modification de la machine annule toute garantie, et peut causer un préjudice à des personnes utilisant la machine ou des personnes à proximité de la machine pendant son fonctionnement.

VÉRIFIEZ LE COLIS DÈS RÉCEPTION

Dès réception d'une expédition d'Omcan veuillez inspecter pour dommages externes. Si aucun dommage n'est visible sur l'emballage externe, ouvrez le carton afin de s'assurer que tous les éléments commandés sont dans la boîte, et il n'y a aucun dommage dissimulé à la machine. Si le colis n'a subi aucune mauvaises manipulations, de bosses ou de dommages (visible ou cachée), notez-le sur le bond de livraison avant d'accepter la livraison et contactez Omcan dans les 24 heures qui suivent, pour que nous puissions engager une réclamation auprès du transporteur. Un rapport détaillé sur l'étendue des dommages causés à la machine doit être rempli dans un délai de trois jours, à compter de la date de livraison indiquée dans les documents d'expédition. Omcan n'a aucun droit de recours pour les produits endommagés qui ont été expédiés ou cueillis par un tiers transporteur.

Avant d'utiliser n'importe quel équipement, toujours lire et vous familiariser avec toutes les opérations et les

General Information

consignes de sécurité.

Omcan voudrais vous remercier d'avoir choisi cette machine. Il est primordial de conserver ces instructions pour une référence ultérieure. Également conservez la boîte originale et l'emballage pour l'expédition de l'équipement si l'entretien ou le retour de la machine est nécessaire.

Omcan Empresa De Fabricacion Y Distribucion Inc. Y Maquinaria De Alimentos De America, Inc. dba Omcan y Omcan Inc. no son responsables de ningun daño o perjuicio causado por cualquier persona inadecuada o el uso descuidado de este equipo. El producto solo podra ser operado por una persona mayor de 18 años, en su sano juicio y no bajo alguna influencia de droga o alcohol, y que este ha sido entrenado en el correcto funcionamiento de esta máquina, y ésta usando ropa apropiada y autorizada. Cualquier modificación a la máquina anula la garantía y puede causar daños a las personas usando la máquina mientras esta en el funcionamiento.

REVISE EL PAQUETE A SU LLEGADA

Tras la recepcion de un envio Omcan favor inspeccionar daños externos. Si no hay daños evidentes en el empaque exterior, Habra el carton para asegurarse que todos los articulos solicitados estén dentro de la caja y no encuentre daños ocultos en la máquina. Si el paquete ha sufrido un manejo de poco cuidado, golpes o daños (visible o oculto) por favor anote en la factura antes de aceptar la entrega y contacte Omcan dentro de las 24 horas, de modo que podamos iniciar una reclamación con la compañía. Un informe detallado sobre los daños causados a la máquina debe ser llenado en el plazo de tres días, desde la fecha de entrega que se muestra en los documentos de envío. Omcan no tiene ningun recurso por productos dañados que se enviaron a recoger por terceros.

Antes de utilizar cualquier equipo, siempre lea y familiarizarse con todas las instrucciones de funcionamiento y seguridad.

Omcan le gustaría darle las gracias por la compra de esta máquina. Es de la mayor importancia para salvar estas instrucciones para futuras consultas. Además, guarda la caja original y el embalaje para el envío del equipo si servicio técnico o devolución de la máquina que se requiere.

Safety and Warranty

Please pay close attention to the safety notices in this section. Disregarding these notices may lead to serious injury and can damage the unit.

CAUTION FOR SAFETY

1. Leave enough space from the wall to the cabinet and the ceiling; do not place the back of the unit against the wall.

Caution: keep a minimum of 20cm from the cabinet and the wall.

Safety and Warranty

2. Please keep other objects away from the unit that may cause a fire.
3. Do not store flammable or combustible materials near the unit.
4. Only connect to a grounded single phase connection.
Caution: do not connect grounding wire to a water or gas pipe.
5. Handle with caution during transportation, the unit can only be leaned a maximum of 45°.
6. When encountering problems, please refer to the troubleshooting section or call Omcan.

Danger: flammable refrigerant used. Do not use mechanical devices to defrost the unit. Do not puncture the refrigerant tubing. To be repaired only by trained service technicians.

Caution: flammable refrigerant used. Consult repair manual/owners guide before attempting to service this unit. All safety precautions must be followed.

Caution: dispose of properly in accordance with federal or local regulations. Flammable refrigerant used.

Caution: follow handling instructions carefully.

Caution: ensure all ventilation openings are unobstructed.

Caution: servicing shall be done by authorized service personnel, so as to minimize the risk of injury due to incorrect parts or improper service.

ATTENTION

- To minimize shock and fire hazards, be sure not to overload outlet. Please designate one outlet for your unit.
- Do not use extension cords.
- Do not put your hands under the unit when the unit is required to be moved.
- When the unit is not in use for a long period of time, please unplug the unit from the outlet.
- After unplugging the unit, wait at least 10 minutes before re-plugging it. Failure to do so could cause damage to the compressor.

UNPLUG CORD

- To minimize shock and fire hazards, please do not plug or unplug the cord with wet hands.
- During maintenance and cleaning, please unplug the unit.

PROPER GROUNDING REQUIRED

- To minimize shock and fire hazards, make sure that the unit is properly grounded.

PROHIBITION

- Do not attempt to remove or repair any component unless instructed by Omcan.
- Make sure that the unit is not resting on or against the electrical cord and plug.
- To minimize personal injury, do not hang on the doors.
- Do not store any flammable or explosive material inside the unit.
- Do not attempt to alter or tamper with the electrical cord.



Safety and Warranty

RESIDENTIAL USERS: vendor assumes no liability for parts or labor coverage for component failure or other damages resulting from installation in non-commercial or residential applications. The right is reserved to deny shipment for residential usage; if this occurs, you will be notified as soon as possible.

2 YEARS PARTS AND LABOUR & 5 YEARS COMPRESSOR WARRANTY

Within the warranty period, contact Omcan Inc. at 1-800-465-0234 to schedule an Omcan authorized service technician to repair the equipment locally.

Unauthorized maintenance will void the warranty. Warranty covers electrical and part failures, not improper use.

Please see <https://omcan.com/disclaimer> for complete info.

WARNING:

The packaging components are classified as normal solid urban waste and can therefore be disposed of without difficulty.

In any case, for suitable recycling, we suggest disposing of the products separately (differentiated waste) according to the current norms.

DO NOT DISCARD ANY PACKAGING MATERIALS IN THE ENVIRONMENT!

Technical Specifications

STAINLESS STEEL DOORS

| | |
|--------------------------------|---|
| Model | RE-CN-0041E-HC |
| Item Number | 59026 |
| Electrical | 110-120V / 60Hz / 1 |
| Power | 249 W |
| Current | 3.8A |
| Capacity | 1330.9 L / 47 cu.ft. |
| Shelf Capacity | 88.2 lbs. / 40 kgs. |
| Number of Shelves | 6 |
| Temperature Range | 0.5 - 5°C / 33 - 41°F |
| Max Ambient Temp Rating | 24°C / 75°F |
| Refrigerant | R290 |
| Cooling System | Ventilated |
| Weight | 469.5 lbs. / 213 kgs. |
| Packaging Weight | 553.3 lbs. / 251 kgs. |
| Interior Dimensions | 49.5" x 27.1" x 53.5" / 1257 x 688 x 1359mm |
| Dimensions | 54" x 32.2" x 82.5" / 1372 x 818 x 2096mm |
| Packaging Dimensions | 56.5" x 34.6" x 84.4" / 1435 x 879 x 2144mm |



Technical Specifications

GLASS DOOR - BLACK UNITS

| Model | RE-CN-0023E-HC | RE-CN-0009EB-HC | RE-CN-0045EB-HC |
|-------------------------|---|---|--|
| Item Number | 59036 | 59133 | 59132 |
| Capacity | 640 L / 22.6 cu.ft. | 240 L / 8.5 cu.ft. | 1274.3 L / 45 cu.ft. |
| Temperature Range | 0.5 - 4.4°C / 33 - 40°F | | |
| Max Ambient Temp Rating | 24°C / 75°F | | |
| Refrigerant | R290 | | |
| Electrical | 110-120V / 60Hz / 1 | | |
| Power | 384 W | 186 W | 249 W |
| Current | 4A | 2.9A | 4.3A |
| Isolation Material | Cyclopentane | | |
| Cooling System | Ventilated | | |
| Defrosting | Automatic | | |
| Number of Doors | 1 | 2 | |
| Self-Closing Door | Yes | | |
| Number of Shelves | 4 | 8 | |
| Shelf Material | Plastic Coated | | |
| Shelf Loading Capacity | 88.2 lbs. / 40 kgs. | | |
| Dimensions | 28.3" x 31.9" x 79.3" 720 x 810 x 2015mm | 21.7" x 21.7" x 63" 551 x 551 x 1600mm | 53.2" x 31.8" x 84" 1351 x 808 x 2134mm |
| Interior Dimensions | 25.2" x 28.3" x 62.5" 640 x 720 x 1588mm | 18.9" x 18.3" x 46" 480 x 465 x 1168mm | 50" x 28.3" x 62" 1270 x 719 x 1575mm |
| Weight | 319.7 lbs. / 145 kgs. | 189.5 lbs. / 86 kgs. | 436.5 lbs. / 198 kgs. |
| Packaging Weight | 352.7 lbs. / 160 kgs. | 224.8 lbs. / 102 kgs. | 480.6 lbs. / 218 kgs. |

Technical Specifications

GLASS DOOR - WHITE UNITS

| Model | RE-CN-0014E-H | RE-CN-0045E-HC | RE-CN-0009E-HC |
|-------------------------|---|--|---|
| Item Number | 59035 | 59032 | 59033 |
| Electrical | 110-120V / 60Hz / 1 | | |
| Power | 288 W | 249 W | 186 W |
| Current | 3A | 4.3A | 2.9A |
| Capacity | 382 L / 13.5 cu.ft. | 1274.3 L / 45 cu.ft. | 240 L / 8.5 cu.ft. |
| Shelf Capacity | 88.2 lbs. / 40 kgs. | | |
| Number of Shelves | 4 | 8 | 4 |
| Temperature Range | 0.5 - 5°C / 33 - 41°F | | |
| Max Ambient Temp Rating | 24°C / 75°F | | |
| Refrigerant | R290 | | |
| Cooling System | Ventilated | | |
| Weight | 264.6 lbs. / 120 kgs. | 436.5 lbs. / 198 kgs. | 189.5 lbs. / 86 kgs. |
| Packaging Weight | 297.6 lbs. / 135 kgs. | 480.6 lbs. / 218 kgs. | 224.8 lbs. / 102 kgs. |
| Interior Dimensions | 22.8" x 19.5" x 55.5" 580 x 495 x 1410mm | 50" x 28.3" x 62" 1270 x 719 x 1575mm | 18.9" x 18.3" x 46" 480 x 465 x 1168mm |
| Dimensions | 25.6" x 22.8" x 79.3" 650 x 580 x 2015mm | 53.2" x 31.8" x 84" 1351 x 808 x 2134mm | 21.7" x 21.7" x 63" 551 x 551 x 1600mm |
| Packaging Dimensions | 28.1" x 26.6" x 85" 714 x 676 x 2159mm | 56" x 33.5" x 84.6" 1422 x 851 x 2149mm | 23.6" x 24.8" x 69.1" 599 x 630 x 1755mm |

Installation

IMPORTANT!!! PLEASE READ BEFORE INSTALLATION

- If the unit has recently been transported, please let the unit stand upright for a minimum of 24 hours before plugging it in.
- Make sure that the unit drops down to the desired temperature before loading the unit with product.
- Make sure that there is proper ventilation around the unit in the area where it will operate.
- Make sure all accessories are installed (shelves, casters, ect.) before plugging in the unit.
- Please read through the manual in its entirety.

Installation

CABINET LOCATION GUIDELINES

INSTALL THE UNIT ON A STRONG AND LEVELED SURFACE

- Unit may make unpleasant noises if surface is uneven.
- Unit may malfunction if surface is uneven.

INSTALL THE UNIT IN AN INDOOR, WELL VENTILATED AREA

- Unit performs more efficiently in a well ventilated area.
- For best performance, please maintain a clearance of 4" from the back of the unit.
- Not to be used outdoors.

AVOID INSTALLATION IN A HIGH HUMIDITY AND/OR DUSTY AREA

- Humidity can cause the unit to rust and decrease efficiency of the unit.
- Dust collected on the condenser coil will cause the unit to malfunction. Clean the condenser at least once a month with a brush or clean cloth.

SELECT A LOCATION AWAY FROM HEAT AND MOISTURE-GENERATING EQUIPMENT

- High ambient temperatures will cause the compressor to overwork, leading to higher energy bills and gradual breakdown of the unit.

ELECTRICAL

Please ensure that the required voltage of the compressor is being supplied at all times. Low or high voltage can detrimentally affect the refrigeration unit. All units should be plugged into a grounded a properly-sized electrical outlet with appropriate overcurrent protection. Please refer to the electrical requirements on the rating plate. Please make sure that your unit has its own dedicated outlet. Do not use an extension cord.

Maintenance

CLEANING THE CONDENSER COIL

- For efficient operation, it is important that the condenser surface be kept free of dust, dirt and lint.
- We recommend cleaning the condenser coil and fins at least once per month.
- Clean with a commercial condenser coil cleaner. Brush the condenser fins from top to bottom, not side to side.
- After cleaning, straighten any bent condenser fins with a fin comb.

CLEANING THE FAN BLADES AND MOTOR

If necessary, clean the fan blades and motor with a soft cloth. If it is necessary to wash the fan blades, cover the fan motor to prevent moisture damage.

Maintenance

CLEANING THE INTERIOR OF THE UNIT

- When cleaning the cabinet interior, use a solvent of warm water and mild soap.
- Do not use steel wool, caustic soap, abrasive cleaners, or bleach that may damage the stainless steel surface.
- Wash door gaskets on a regular basis, preferably weekly. Simply remove door gasket from the frame of the door, soak in warm water and soap for thirty (30) minutes, dry with a soft cloth and replace.
- Check door gaskets for proper seal after they are replaced.
- Periodically remove the shelves and pilasters from the unit and clean them with mild soap and warm water. To remove the pilasters, first remove the shelves and shelf brackets. Then, simply lift the pilaster up and out.

Warning: disconnect power cord before cleaning any parts of the unit.

Troubleshooting

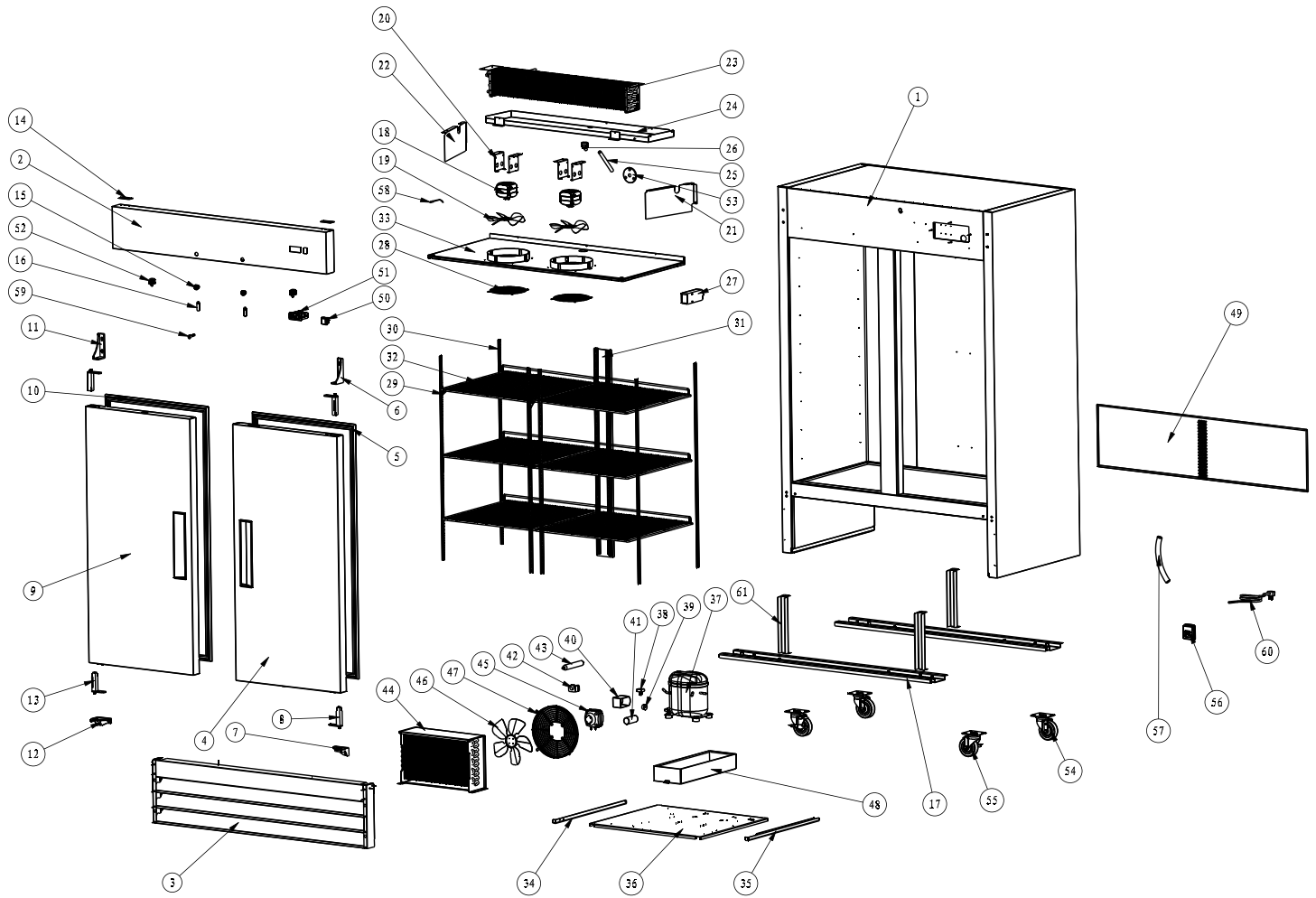
| Problem | Possible Cause | Solution |
|-------------------------|--|--|
| Compressor not running. | Fuse blown or circuit breaker tripped. | Replace fuse or reset circuit breaker. |
| | Power cord unplugged. | Plug in power cord. |
| | Thermostat set too high. | Set thermostat to a lower temperature. |
| | Cabinet in defrost cycle. | Wait for defrost cycle to finish. |

Troubleshooting

| | | |
|--|---|---|
| Condensing unit runs for long periods of time. | Excessive amount of warm product placed in cabinet. | Allow adequate time for product to cool down. |
| | Prolonged door opening or door ajar. | Ensure doors are closed when not in use. Avoid opening doors for long periods of time. |
| | Door gaskets not sealing properly. | Ensure gaskets are snapped in completely. Remove gaskets and wash with soap and water. Check condition of gaskets and replace if necessary. |
| | Dirty condenser coil. | Clean the condenser coil. |
| | Evaporator coil iced over. | Unplug unit and allow coil to defrost. Make sure thermostat is not set too cold. Ensure that the door gaskets are sealing properly. |
| Cabinet temperature is too warm. | Thermostat set too warm. | Set thermostat to a lower temperature. |
| | Blocking air flow. | Re-arrange product to allow for proper air flow. Make sure there is at least 4" of clearance from evaporator. |
| | Excessive amount of warm product placed in cabinet. | Allow adequate time for product to cool down. |
| | Fuse blown or circuit breaker tripped. | Replace fuse or reset circuit breaker. |
| | Dirty condenser coil. | Clean the condenser coil. |
| | Prolonged door opening or door ajar. | Ensure doors are closed when not in use. Avoid opening doors for long periods of time. |
| | Evaporator coil iced over. | |
| Cabinet is noisy. | Loose parts. | Locate and tighten the loose parts. |
| | Tubing vibration. | Ensure tubing is free from contact with other tubing or components. |

Parts Breakdown

Model RE-CN-0041E-HC 59026



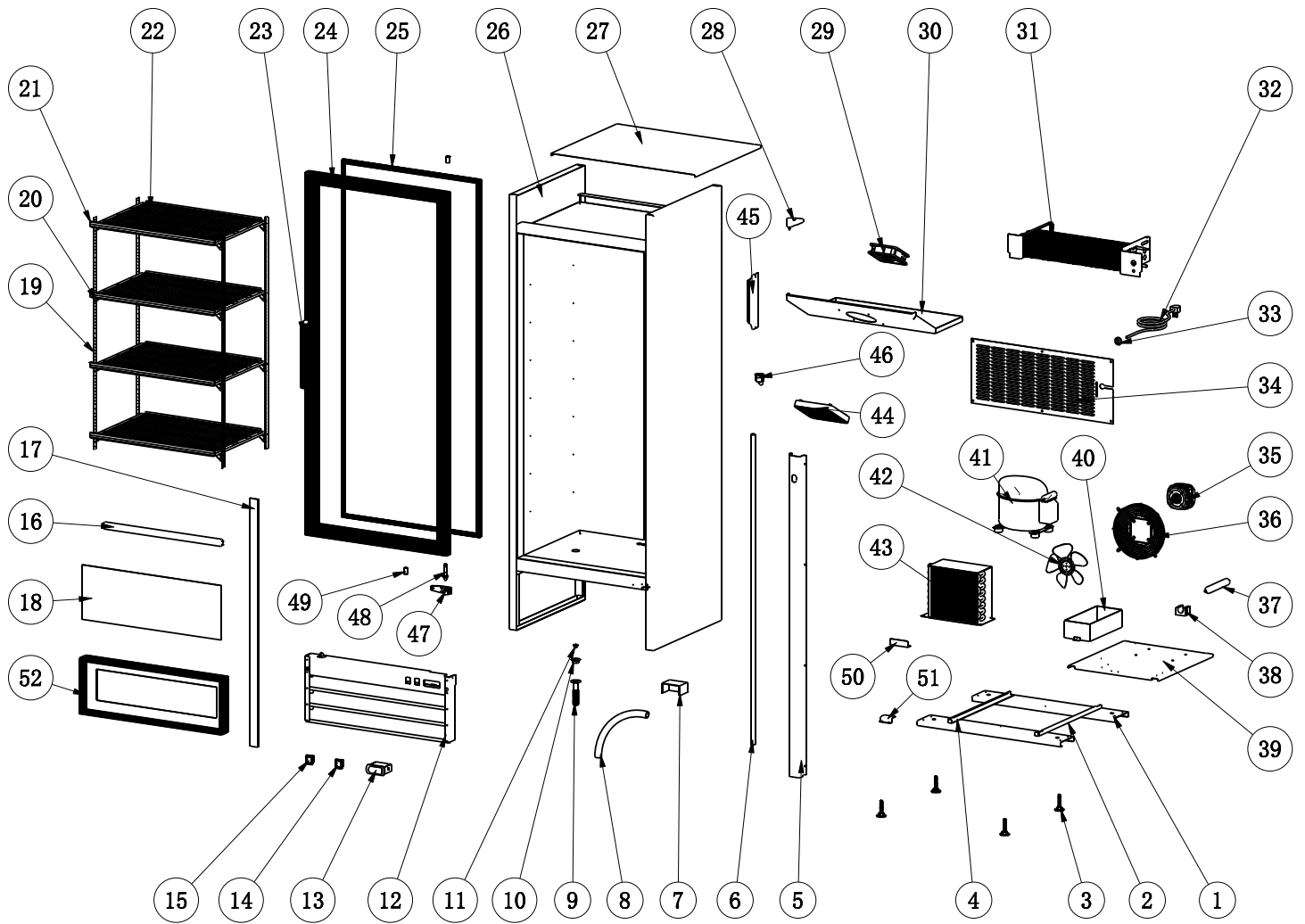
Parts Breakdown

Model RE-CN-0041E-HC 59026

| Item No. | Description | Position | Item No. | Description | Position | Item No. | Description | Position |
|----------|---|----------|----------|--|----------|----------|--|----------|
| AF047 | Cabinet for 59026 | 1 | AF033 | Left Air Guide Sheet for 59026 | 22 | AF055 | Condenser for 59026 | 44 |
| AI376 | Control Panel for 59026 | 2 | AI371 | Evaporator for 59026 | 23 | AI374 | Condenser Fan Motor for 59026 | 45 |
| AF048 | Front Grill for 59026 | 3 | AF051 | Inner Drain Pan for 59026 | 24 | AA764 | Condenser/Evaporator Fan Motor Blade for 59026 | 46 |
| AI377 | Right Door for 59026 | 4 | AA969 | Drain Hose for 59026 | 25 | AA249 | Condenser Fan Motor Cover for 59026 | 47 |
| AB029 | Gasket for 59026 | 5, 10 | 69703 | Elbow Pipe for 59026 | 26 | AB970 | Outer Drain Pan for 59026 | 48 |
| AA954 | Hinge G for 59026 | 6 | AA970 | Light Components for 59026 | 27 | AF056 | Back Grill for 59026 | 49 |
| AA956 | Hinge H for 59026 | 7 | AF037 | Evap Fan Motor Cover for 59026 | 28 | AA124 | Power Switch for 59026 | 50 |
| AA955 | Left/Right Spring Hinge for 59026 | 8, 13 | 26884 | K Clip for 59026 | 29 | AI375 | Dixell Temperature Controller for 59026 | 51 |
| AI370 | Left Door for 59026 | 9 | AA809 | K Strip for 59026 | 30 | AB977 | Door Switch for 59026 | 52 |
| AB032 | Hinge E for 59026 | 11 | AF052 | Back Brackets for 59026 | 31 | AF046 | Drain Plug for 59026 | 53 |
| AB033 | Hinge F for 59026 | 12 | AA975 | Shelf for 59026 | 32 | 26247 | Caster without Brake for 59026 | 54 |
| AA959 | Hinge for 59026 | 14 | AF053 | Evaporator Cover for 59026 | 33 | 26246 | Caster with Brake for 59026 | 55 |
| AA197 | Lock for 59026 | 15 | AF040 | Left Track for Assembling Panel for 59026 | 34 | AA993 | Power Plug Fitting Base for 59026 | 56 |
| AF028 | Lock Bolt for 59026 | 16 | AF041 | Right Track for Assembling Panel for 59026 | 35 | AA216 | Drain Tube for 59026 | 57 |
| 61471 | Leg Supporter for 59026 | 17 | AF054 | Compressor Unit Installation Board for 59026 | 36 | AA379 | Temperature Probe for 59026 | 58 |
| AF825 | Evaporator Fan Motor for 59026 | 18 | AI372 | Compressor for 59026 | 37 | AA197 | Lock for 59026 | 59 |
| AA962 | Blade of Evaporator Fan Motor for 59026 | 19 | AI373 | Compressor Starting Components for 59026 | 38 - 41 | AA805 | Power Cord for 59026 | 60 |
| AF031 | Evaporator Fan Motor Holder for 59026 | 20 | AB595 | Filter Fixer for 59026 | 42 | AF057 | Cabinet Supporter for 59026 | 61 |
| AF032 | Right Air Guide Sheet for 59026 | 21 | AB594 | Filter D25x160-B for 59026 | 43 | | | |

Parts Breakdown

Model RE-CN-0014E-H 59035



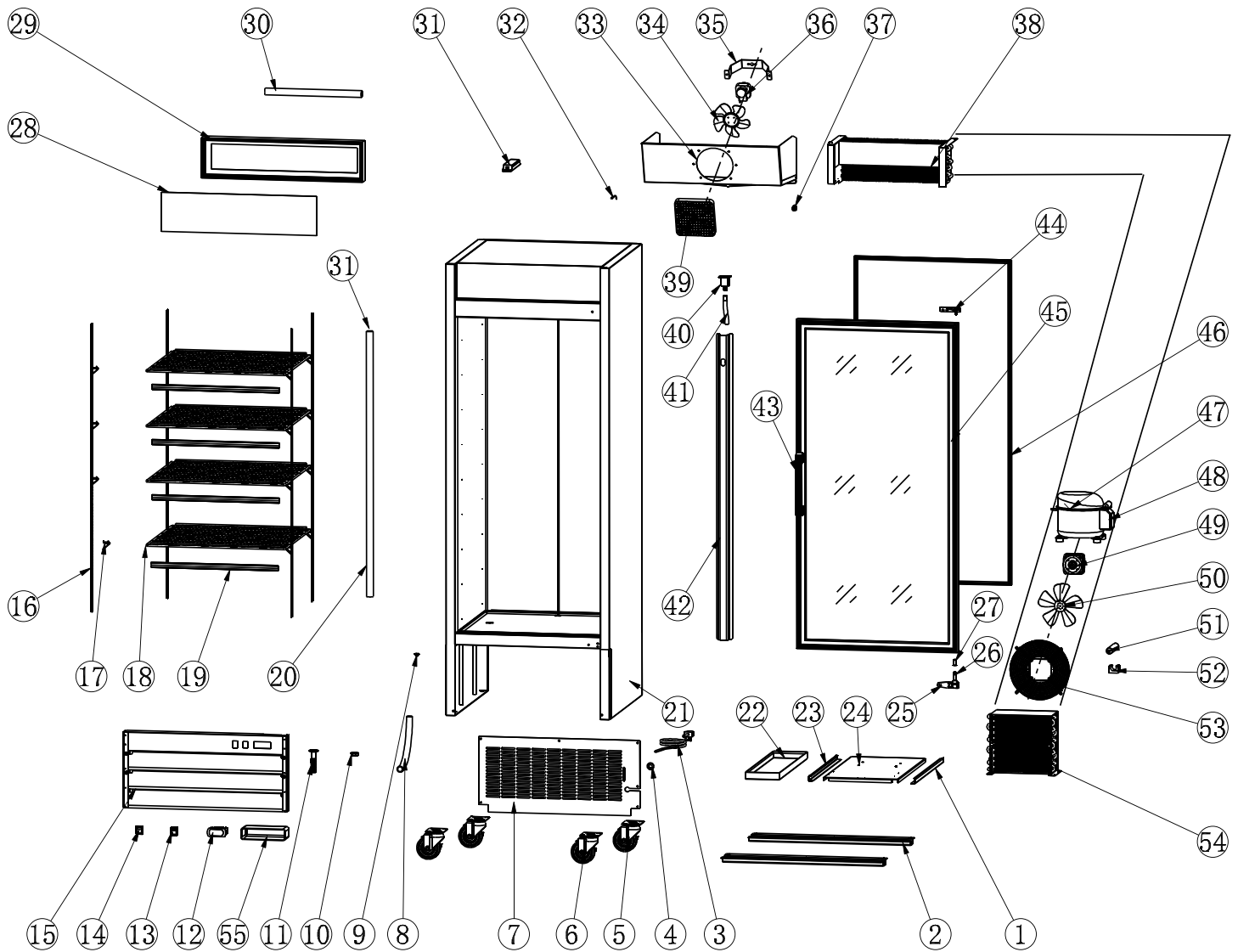
Parts Breakdown

Model RE-CN-0014E-H 59035

| Item No. | Description | Position | Item No. | Description | Position | Item No. | Description | Position |
|----------|---|----------|----------|--------------------------------|----------|----------|--|----------|
| AE907 | Castor Supporter for 59035 | 1 | AE911 | K Strip for 59035 | 19 | AI968 | Filter for 59035 | 37 |
| AE896 | Right Track for Installation Board for 59035 | 2 | 26884 | K Clip for 59035 | 20 | AB595 | Filter Fixer for 59035 | 38 |
| AA185 | Leveling Feet for 59035 | 3 | AA725 | Shelf Tag for 59035 | 21 | AE904 | Compressor Unit Installation Board for 59035 | 39 |
| AE897 | Left Track for Installation Board for 59035 | 4 | AM514 | Shelf for 59035 | 22 | AE905 | Outer Drain Pan for 59035 | 40 |
| AE908 | Air Pipe Protection Board for 59035 | 5 | AA695 | Glass Door Handle for 59035 | 23 | AI386 | Compressor for 59035 | 41 |
| AA528 | Inner Drain Pipe for 59035 | 6 | AA727 | Glass Door for 59035 | 24 | AA962 | Blade of Evaporator Fan Motor for 59035 | 42 |
| AA214 | Thermostat Water Proof Cover for 59035 | 7 | AA728 | Glass Door Gasket for 59035 | 25 | AM517 | Condenser for 59035 | 43 |
| AA216 | Drain Tube for 59035 | 8 | AE912 | Top Cover for 59035 | 27 | AA710 | Evaporator Fan Motor Cover for 59035 | 44 |
| AA686 | Plastic Drain Pipe with Fixer for 59035 | 9, 10 | AB966 | Hinge K for 59035 | 28 | AM179 | LED Power Supply for 59035 | 45 |
| AA687 | Drain Pipe Cover for 59035 | 11 | AM515 | Evaporator Fan Motor for 59035 | 29 | AF036 | Elbow Pipe for 59035 | 46 |
| AE909 | Front Grille for 59035 | 12 | AE913 | Evaporator Cover for 59035 | 30 | AA713 | Hinge J for 59035 | 47 |
| 27185 | Carel Temperature Controller PYGX1Z0501 for 59035 | 13 | AA733 | Evaporator for 59035 | 31 | AA714 | Hinge Axis for 59035 | 48 |
| AA362 | LED Light Switch for 59035 | 14 | AA135 | Power Cord for 59035 | 32 | AA715 | Axis Cover for 59035 | 49 |
| AA124 | Power Switch for 59035 | 15 | AA703 | Power Cord Cover for 59035 | 33 | AB974 | Handle for Installation Board for 59035 | 50 |
| AM513 | LED in Light Box for 59035 | 16 | AE914 | Back Grill for 59035 | 34 | AA304 | Installation Board Limited Block for 59035 | 51 |
| AG461 | LED Light for 59035 | 17 | AM516 | Condenser Fan Motor for 59035 | 35 | AA740 | Light Box Frame for 59035 | 52 |
| AA723 | Handle of Installation Board for 59035 | 18 | AI960 | Condenser Fan Cover for 59035 | 36 | | | |

Parts Breakdown

Model RE-CN-0023E-HC 59036



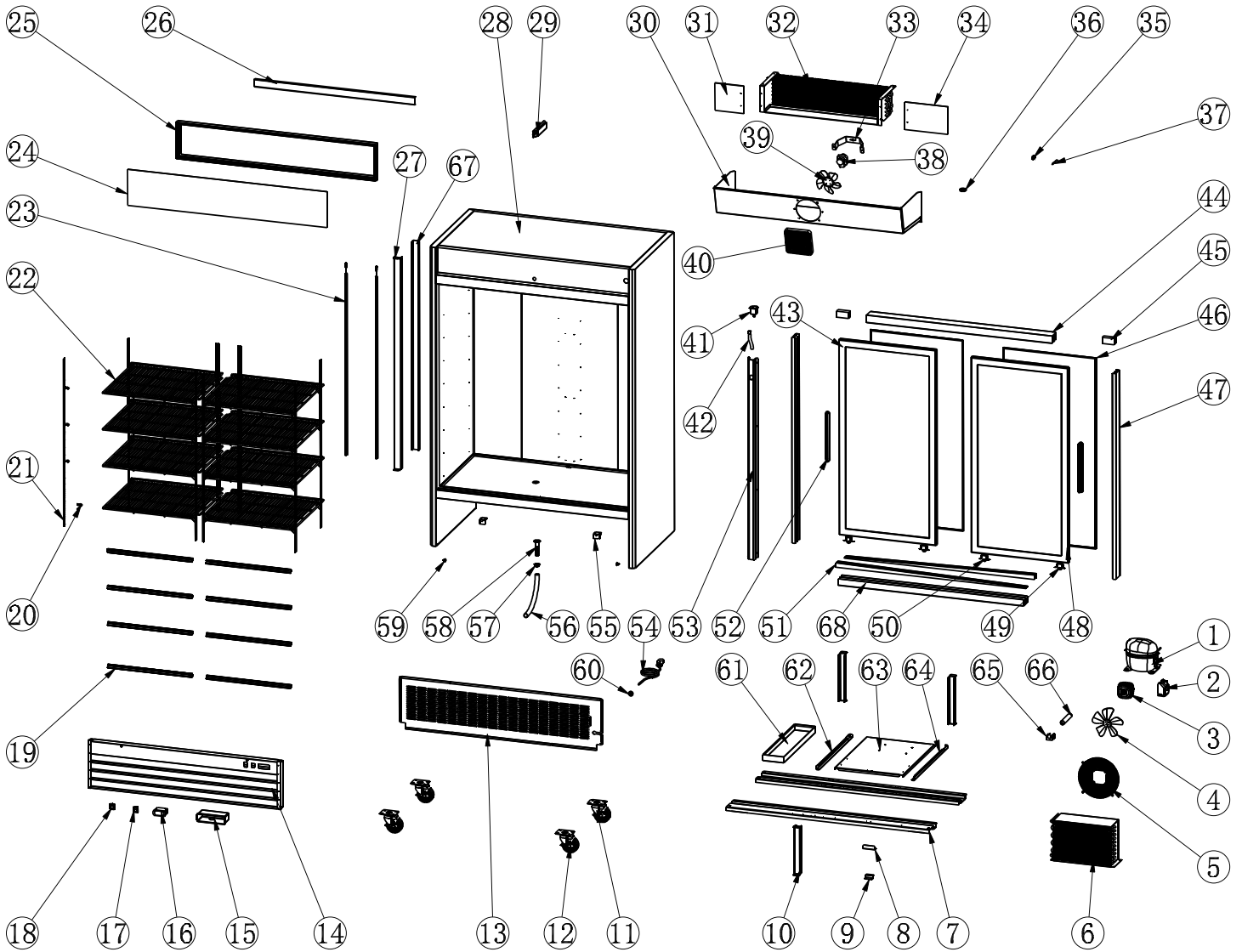
Parts Breakdown

Model RE-CN-0023E-HC 59036

| Item No. | Description | Position | Item No. | Description | Position | Item No. | Description | Position |
|----------|---|----------|----------|--|----------|----------|--|----------|
| AB953 | Right Track for Installation Board for 59036 | 1 | AA748 | Shelf Tag for 59036 | 19 | AA863 | Fixer for Probe for 59036 | 37 |
| AB954 | Castor Supporter for 59036 | 2 | AA722 | LED Light for 59036 | 20 | AA759 | Evaporator for 59036 | 38 |
| AA135 | Power Cord for 59036 | 3 | AB959 | Outer Drain Pan for 59036 | 22 | AB077 | Condenser Fan Cover for 59036 | 39 |
| AA703 | Power Cord Cover for 59036 | 4 | AB960 | Left Track for Installation Board for 59036 | 23 | AA712 | Inner Drain Tube Connector for 59036 | 40 |
| AA743 | 4" Caster without Brake for 59036 | 5 | AB961 | Compressor Unit Installation Board for 59036 | 24 | AA528 | Inner Drain Pipe for 59036 | 41 |
| AA584 | Caster with Break for 59036 | 6 | AA713 | Hinge J for 59036 | 25 | AI826 | Air Pipe Protection Board for 59036 | 42 |
| AB955 | Back Grill for 59036 | 7 | AA714 | Hinge Axis for 59036 | 26 | AA695 | Glass Door Handle for 59036 | 43 |
| AA216 | Drain Tube for 59036 | 8 | AA715 | Axis Cover for 59036 | 27 | AB966 | Hinge K for 59036 | 44 |
| AA687 | Drain Pipe Cover for 59036 | 9 | AA753 | Light Box Plate for 59036 | 28 | AA761 | Glass Door for 59036 | 45 |
| AA686 | Plastic Drain Pipe with Fixer for 59036 | 10, 11 | AA754 | Light Box Frame for 59036 | 29 | AA762 | Gasket for 59036 | 46 |
| 27185 | Carel Temperature Controller PYGX1Z0501 for 59036 | 12 | AA721 | LED in Light Box for 59036 | 30 | AF088 | Compressor for 59036 | 47 |
| AA362 | LED Light Switch for 59036 | 13 | AA711 | LED Power Supply for 59036 | 31 | AI321 | Condenser Fan Motor for 59036 | 49 |
| AA124 | Power Switch for 59036 | 14 | AI382 | Temperature Probe for 59036 | 32 | AB594 | Filter D25x160-B for 59036 | 51 |
| AB956 | Front Grill for 59036 | 15 | AI825 | Evaporator Cover for 59036 | 33 | AB595 | Filter Fixer for 59036 | 52 |
| AB957 | K Strip for 59036 | 16 | AA764 | Condenser/Evaporator Fan Motor Blade for 59036 | 34, 50 | AA249 | Condenser Fan Motor Cover for 59036 | 53 |
| 26884 | K Clip for 59036 | 17 | AI381 | Evaporator Installation Bracket for 59036 | 35 | AA250 | Condenser for 59036 | 54 |
| AA747 | Shelf for 59036 | 18 | AF825 | Evaporator Fan Motor for 59036 | 36 | AA214 | Thermostat Water Proof Cover for 59036 | 55 |

Parts Breakdown

Model RE-CN-0045E-HC 59032
Model RE-CN-0045EB-HC 59132



Parts Breakdown

Model RE-CN-0045E-HC 59032

| Item No. | Description | Position | Item No. | Description | Position | Item No. | Description | Position |
|----------|---|----------|----------|---|----------|----------|---|----------|
| AE876 | Compressor for 59032 | 1 | AA780 | Light Plate for 59032 | 24 | AA801 | Bigger Wheel for Door for 59032 | 49 |
| AI321 | Condenser Fan Motor for 59032 | 3, 38 | AI378 | Light Box for 59032 | 25 | AA802 | Smaller Wheel for Door for 59032 | 50 |
| AA764 | Condenser/Evaporator Fan Motor Blade for 59032 | 4, 39 | 65106 | LED Light in Lamp Box for 59032 | 26 | AG052 | Door Track for 59032 | 51 |
| AA249 | Condenser Fan Motor Cover for 59032 | 5 | AI379 | Middle Beam Sheet for 59032 | 27 | 62363 | Door Handle for 59032 | 52 |
| AA300 | Condenser for 59032 | 6 | AA787 | LED Power Supply for 59032 | 29 | AI383 | Air Pipe Protection Board for 59032 | 53 |
| AE878 | Caster Supporter for 59032 | 7 | AI380 | Evaporator Cover for 59032 | 30 | AA805 | Power Cord for 59032 | 54 |
| AB974 | Handle for Installation Board for 59032 | 8 | AE887 | Left End Plate for Evaporator for 59032 | 31 | AG053 | Grill Fixer for 59032 | 55 |
| AA304 | Installation Board Limited Block for 59032 | 9 | AG551 | Evaporator - New Style 4R7K620L (Dia -7.94) for 59032 | 32 | AA216 | Drain Tube for 59032 | 56 |
| AE879 | Support Rod for 59032 | 10 | AI381 | Evaporator Installation Bracket for 59032 | 33 | AA687 | Drain Pipe Cover for 59032 | 57 |
| AA743 | 4" Caster without Brake for 59032 | 11 | AE888 | Right End Plate for Evaporator for 59032 | 34 | AA686 | Plastic Drain Pipe with Fixer for 59032 | 58 |
| AA584 | Caster with Brake for 59032 | 12 | AA863 | Fixer for Probe for 59032 | 35 | AA767 | Front Grill Fixer for 59032 | 59 |
| AE881 | Back Grill for 59032 | 13 | AA794 | Power Cord Cover for 59032 | 36 | AA703 | Power Cord Cover for 59032 | 60 |
| AG049 | Front Grill for 59032 | 14 | AI382 | Temperature Probe for 59032 | 37 | AB959 | Outer Drain Pan for 59032 | 61 |
| AA214 | Thermostat Water Proof Cover for 59032 | 15 | AB077 | Condenser Fan Cover for 59032 | 40 | AE892 | Left Rail for Installation Board for 59032 | 62 |
| 27185 | Carel Temperature Controller PYGX1Z0501 for 59032 | 16 | AA712 | Inner Drain Tube Connector for 59032 | 41 | AE893 | Installation Board for 59032 | 63 |
| AA362 | LED Light Switch for 59032 | 17 | AA528 | Inner Drain Pipe for 59032 | 42 | AE894 | Right Rail for Installation Board for 59032 | 64 |
| AA124 | Power Switch for 59032 | 18 | AA766 | Left Glass Door for 59032 | 43 | AB595 | Filter Fixer for 59032 | 65 |
| AA777 | Shelf Tag for 59032 | 19 | AA796 | Upper Cabinet Frame for 59032 | 44 | AB594 | Filter D25x160-B for 59032 | 66 |
| 26884 | K Clip for 59032 | 20 | AA797 | Rubber Limited Block for 59032 | 45 | AI384 | Back Sheet of Middle Beam for 59032 | 67 |
| AA809 | K Strip for 59032 | 21 | AA798 | Seal Strip for 59032 | 46 | AG050 | Bottom Cabinet Frame for 59032 | 68 |
| AA779 | Shelf for 59032 | 22 | AA799 | Left/Right Cabinet Frame for 59032 | 47 | | | |
| AA722 | LED Light for 59032 | 23 | AA800 | Right Glass Door for 59032 | 48 | | | |

Parts Breakdown

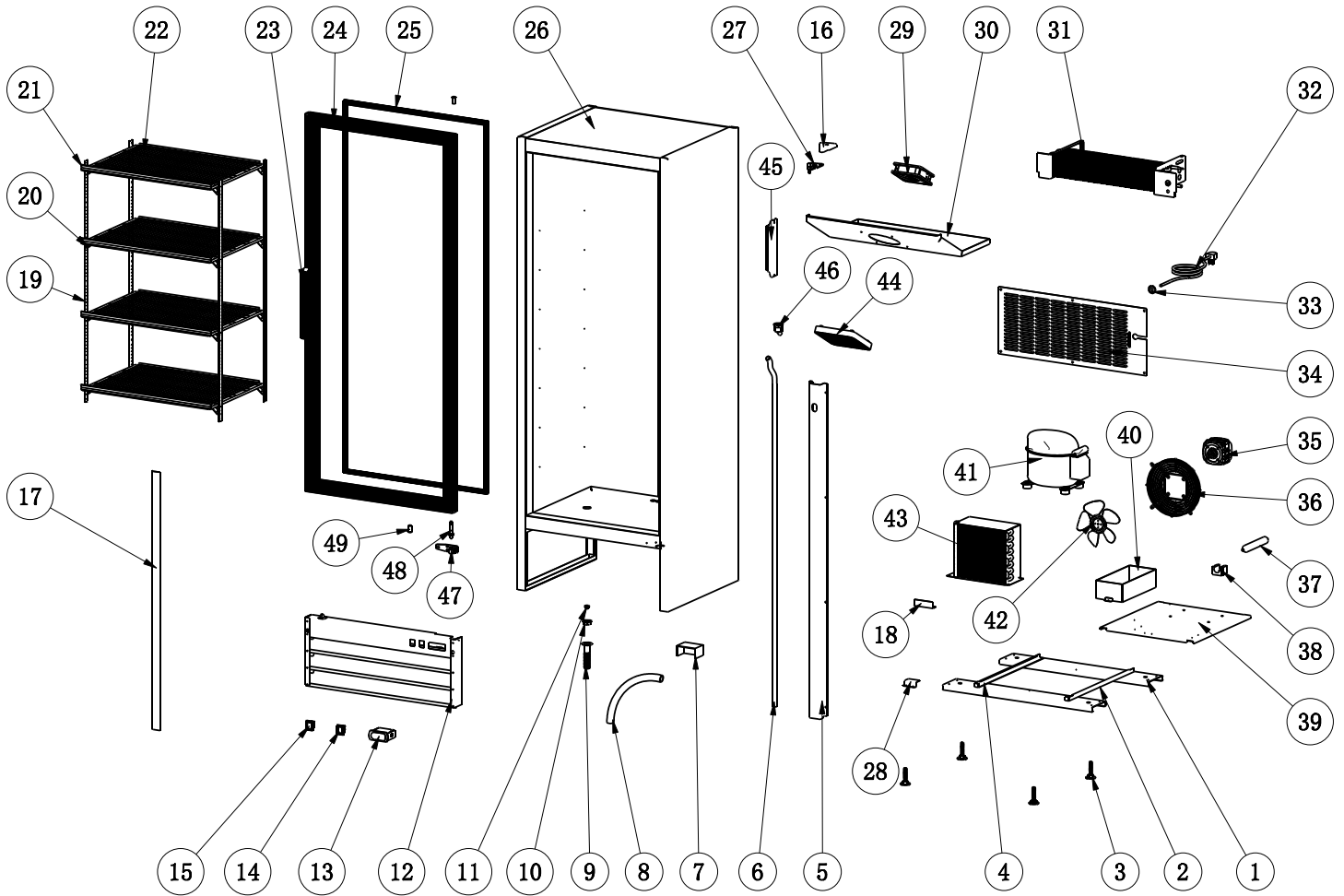
Model RE-CN-0045EB-HC 59132

| Item No. | Description | Position | Item No. | Description | Position | Item No. | Description | Position |
|----------|---|----------|----------|---|----------|----------|---|----------|
| AE876 | Compressor for 59132 | 1 | AA780 | Light Plate for 59132 | 24 | AA801 | Bigger Wheel for Door for 59132 | 49 |
| AI321 | Condenser Fan Motor for 59132 | 3, 38 | AI378 | Light Box for 59132 | 25 | AA802 | Smaller Wheel for Door for 59132 | 50 |
| AA764 | Condenser/Evaporator Fan Motor Blade for 59132 | 4, 39 | 65106 | LED Light in Lamp Box for 59132 | 26 | AG052 | Door Track for 59132 | 51 |
| AA249 | Condenser Fan Motor Cover for 59132 | 5 | AI379 | Middle Beam Sheet for 59132 | 27 | 62363 | Door Handle for 59132 | 52 |
| AA300 | Condenser for 59132 | 6 | AA787 | LED Power Supply for 59132 | 29 | AI383 | Air Pipe Protection Board for 59132 | 53 |
| AE878 | Caster Supporter for 59132 | 7 | AI380 | Evaporator Cover for 59132 | 30 | AA805 | Power Cord for 59132 | 54 |
| AB974 | Handle for Installation Board for 59132 | 8 | AE887 | Left End Plate for Evaporator for 59132 | 31 | AG053 | Grill Fixer for 59132 | 55 |
| AA304 | Installation Board Limited Block for 59132 | 9 | AG551 | Evaporator - New Style 4R7K620L (Dia -7.94) for 59132 | 32 | AA216 | Drain Tube for 59132 | 56 |
| AE879 | Support Rod for 59132 | 10 | AI381 | Evaporator Installation Bracket for 59132 | 33 | AA687 | Drain Pipe Cover for 59132 | 57 |
| AA743 | 4" Caster without Brake for 59132 | 11 | AE888 | Right End Plate for Evaporator for 59132 | 34 | AA686 | Plastic Drain Pipe with Fixer for 59132 | 58 |
| AA584 | Caster with Brake for 59132 | 12 | AA863 | Fixer for Probe for 59132 | 35 | AA767 | Front Grill Fixer for 59132 | 59 |
| AT307 | Back Grill for 59132 | 13 | AA794 | Power Cord Cover for 59132 | 36 | AA703 | Power Cord Cover for 59132 | 60 |
| AT308 | Front Grill for 59132 | 14 | AI382 | Temperature Probe for 59132 | 37 | AB959 | Outer Drain Pan for 59132 | 61 |
| AA214 | Thermostat Water Proof Cover for 59132 | 15 | AB077 | Condenser Fan Cover for 59132 | 40 | AE892 | Left Rail for Installation Board for 59132 | 62 |
| 27185 | Carel Temperature Controller PYGX1Z0501 for 59132 | 16 | AA712 | Inner Drain Tube Connector for 59132 | 41 | AE893 | Installation Board for 59132 | 63 |
| AA362 | LED Light Switch for 59132 | 17 | AA528 | Inner Drain Pipe for 59132 | 42 | AE894 | Right Rail for Installation Board for 59132 | 64 |
| AA124 | Power Switch for 59132 | 18 | AA766 | Left Glass Door for 59132 | 43 | AB595 | Filter Fixer for 59132 | 65 |
| AA777 | Shelf Tag for 59132 | 19 | AA796 | Upper Cabinet Frame for 59132 | 44 | AB594 | Filter D25x160-B for 59132 | 66 |
| 26884 | K Clip for 59132 | 20 | AA797 | Rubber Limited Block for 59132 | 45 | AI384 | Back Sheet of Middle Beam for 59132 | 67 |
| AA809 | K Strip for 59132 | 21 | AA798 | Seal Strip for 59132 | 46 | AG050 | Bottom Cabinet Frame for 59132 | 68 |
| AA779 | Shelf for 59132 | 22 | AA799 | Left/Right Cabinet Frame for 59132 | 47 | | | |
| AA722 | LED Light for 59132 | 23 | AA800 | Right Glass Door for 59132 | 48 | | | |

Parts Breakdown

Model RE-CN-0009E-HC 59033

Model RE-CN-0009EB-HC 59133



Parts Breakdown

Model RE-CN-0009E-HC 59033

| Item No. | Description | Position | Item No. | Description | Position | Item No. | Description | Position |
|----------|---|----------|----------|--|----------|----------|--|----------|
| AE895 | Castor Supporter for 59033 | 1 | AB974 | Handle for Installation Board for 59033 | 18 | AF825 | Evaporator Fan Motor for 59033 | 35 |
| AE896 | Right Track for Installation Board for 59033 | 2 | AE900 | K Strip for 59033 | 19 | AA207 | Condenser Fan Motor Cover for 59033 | 36 |
| AA185 | Leveling Feet for 59033 | 3 | 26884 | K Clip for 59033 | 20 | AB594 | Filter D25x160-B for 59033 | 37 |
| AE897 | Left Track for Installation Board for 59033 | 4 | AA693 | Shelf Tag for 59033 | 21 | AB595 | Filter Fixer for 59033 | 38 |
| AE898 | Back Plate for 59033 | 5 | AA694 | Shelf for 59033 | 22 | AE904 | Compressor Unit Installation Board for 59033 | 39 |
| AA528 | Inner Drain Pipe for 59033 | 6 | AA695 | Glass Door Handle for 59033 | 23 | AE905 | Outer Drain Pan for 59033 | 40 |
| AI385 | Waterproof Cover of Thermostat for 59033 | 7 | AA696 | Glass Door for 59033 | 24 | AI386 | Compressor for 59033 | 41 |
| AA216 | Drain Tube for 59033 | 8 | AA697 | Glass Door Gasket for 59033 | 25 | AA208 | Condenser Fan Blade for 59033 | 42 |
| AA686 | Plastic Drain Pipe with Fixer for 59033 | 9, 10 | AA699 | Hinge I for 59033 | 27 | AA709 | Condenser for 59033 | 43 |
| AA687 | Drain Pipe Cover for 59033 | 11 | AA304 | Installation Board Limited Block for 59033 | 28 | AA710 | Evaporator Fan Motor Cover for 59033 | 44 |
| AE899 | Front Grille for 59033 | 12 | AA128 | Condenser Fan Motor for 59033 | 29 | AA711 | LED Power Supply for 59033 | 45 |
| 27185 | Carel Temperature Controller PYGX1Z0501 for 59033 | 13 | AE902 | Evaporator Cover for 59033 | 30 | AA712 | Inner Drain Tube Connector for 59033 | 46 |
| AA362 | LED Light Switch for 59033 | 14 | AA702 | Evaporator for 59033 | 31 | AA713 | Hinge J for 59033 | 47 |
| AA124 | Power Switch for 59033 | 15 | AA135 | Power Cord for 59033 | 32 | AA714 | Hinge Axis for 59033 | 48 |
| AA689 | Hinge Cover White for 59033 | 16 | AA703 | Power Cord Cover for 59033 | 33 | AA715 | Axis Cover for 59033 | 49 |
| AA690 | LED Light for 59033 | 17 | AE903 | Back Grill for 59033 | 34 | | | |

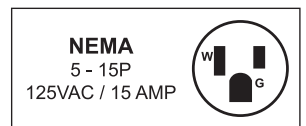
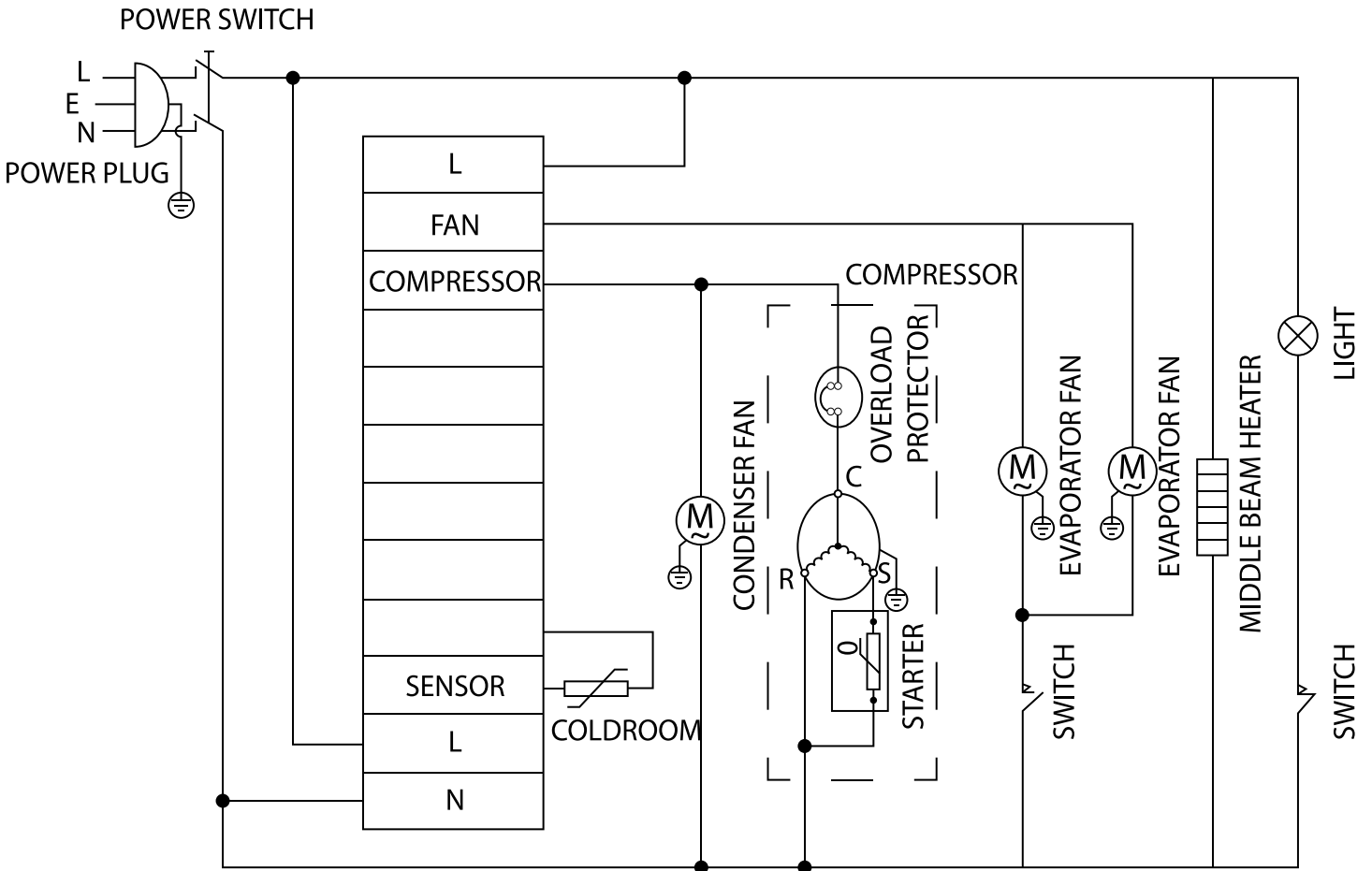
Parts Breakdown

Model RE-CN-0009EB-HC 59133

| Item No. | Description | Position | Item No. | Description | Position | Item No. | Description | Position |
|----------|---|----------|----------|--|----------|----------|--|----------|
| AE895 | Castor Supporter for 59133 | 1 | AB974 | Handle for Installation Board for 59133 | 18 | AF825 | Evaporator Fan Motor for 59133 | 35 |
| AE896 | Right Track for Installation Board for 59133 | 2 | AE900 | K Strip for 59133 | 19 | AA207 | Condenser Fan Motor Cover for 59133 | 36 |
| AA185 | Leveling Feet for 59133 | 3 | 26884 | K Clip for 59133 | 20 | AB594 | Filter D25x160-B for 59133 | 37 |
| AE897 | Left Track for Installation Board for 59133 | 4 | AA693 | Shelf Tag for 59133 | 21 | AB595 | Filter Fixer for 59133 | 38 |
| AE898 | Back Plate for 59133 | 5 | AA694 | Shelf for 59133 | 22 | AE904 | Compressor Unit Installation Board for 59133 | 39 |
| AA528 | Inner Drain Pipe for 59133 | 6 | AA695 | Glass Door Handle for 59133 | 23 | AE905 | Outer Drain Pan for 59133 | 40 |
| AI385 | Waterproof Cover of Thermostat for 59133 | 7 | AA696 | Glass Door for 59133 | 24 | AI386 | Compressor for 59133 | 41 |
| AA216 | Drain Tube for 59133 | 8 | AA697 | Glass Door Gasket for 59133 | 25 | AA208 | Condenser Fan Blade for 59133 | 42 |
| AA686 | Plastic Drain Pipe with Fixer for 59133 | 9, 10 | AA699 | Hinge I for 59133 | 27 | AA709 | Condenser for 59133 | 43 |
| AA687 | Drain Pipe Cover for 59133 | 11 | AA304 | Installation Board Limited Block for 59133 | 28 | AA710 | Evaporator Fan Motor Cover for 59133 | 44 |
| AT309 | Front Grill for 59133 | 12 | AA128 | Condenser Fan Motor for 59133 | 29 | AA711 | LED Power Supply for 59133 | 45 |
| 27185 | Carel Temperature Controller PYGX1Z0501 for 59133 | 13 | AE902 | Evaporator Cover for 59133 | 30 | AA712 | Inner Drain Tube Connector for 59133 | 46 |
| AA362 | LED Light Switch for 59133 | 14 | AA702 | Evaporator for 59133 | 31 | AA713 | Hinge J for 59133 | 47 |
| AA124 | Power Switch for 59133 | 15 | AA135 | Power Cord for 59133 | 32 | AA714 | Hinge Axis for 59133 | 48 |
| AA689 | Hinge Cover White for 59133 | 16 | AA703 | Power Cord Cover for 59133 | 33 | AA715 | Axis Cover for 59133 | 49 |
| AA690 | LED Light for 59133 | 17 | AT310 | Back Grill for 59133 | 34 | | | |

Electrical Schematics

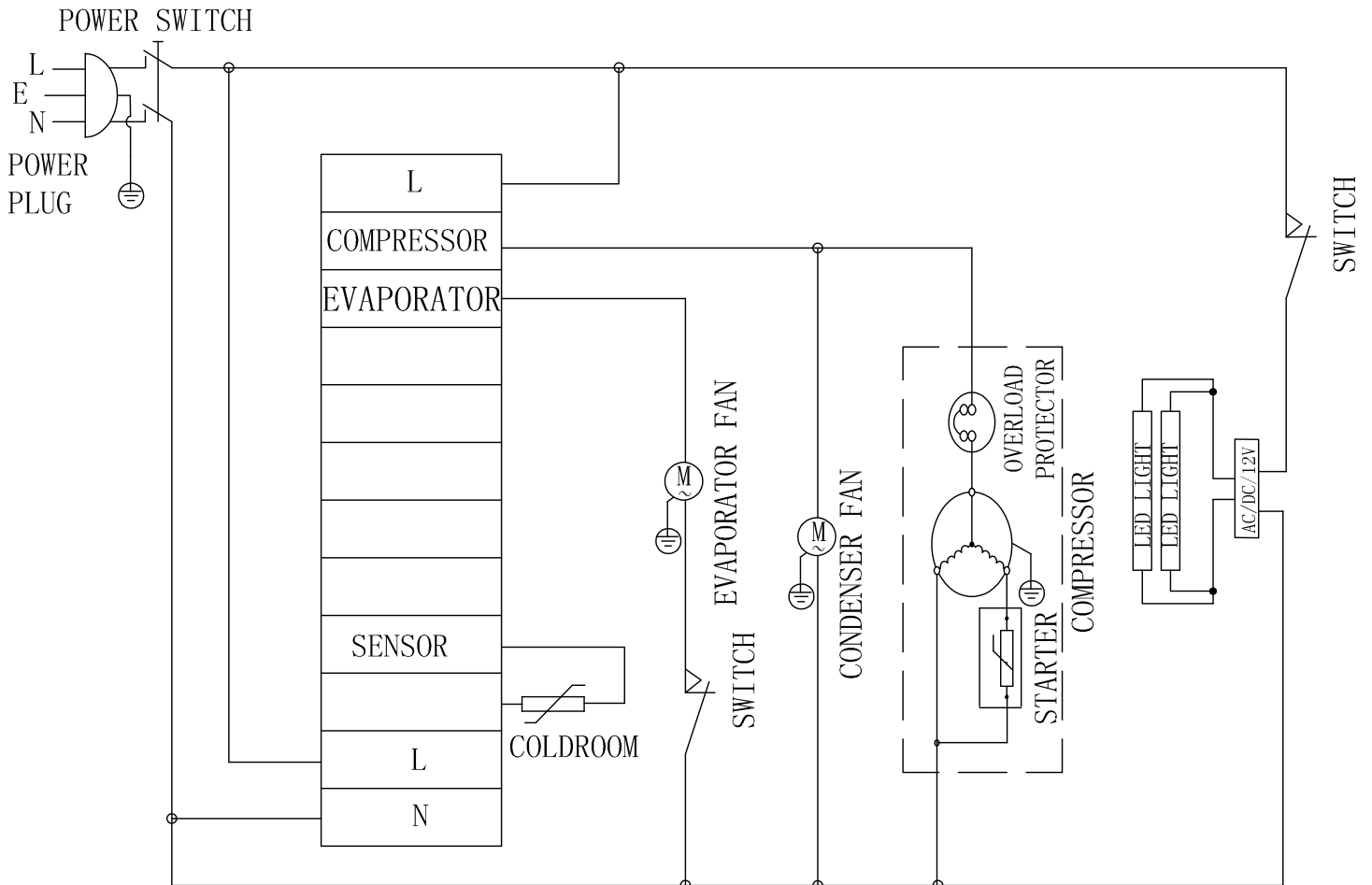
Model RE-CN-0041E-HC 59026



Electrical Schematics

Model RE-CN-0014E-H 59035

Model RE-CN-0023E-HC 59036

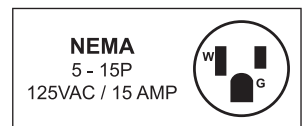
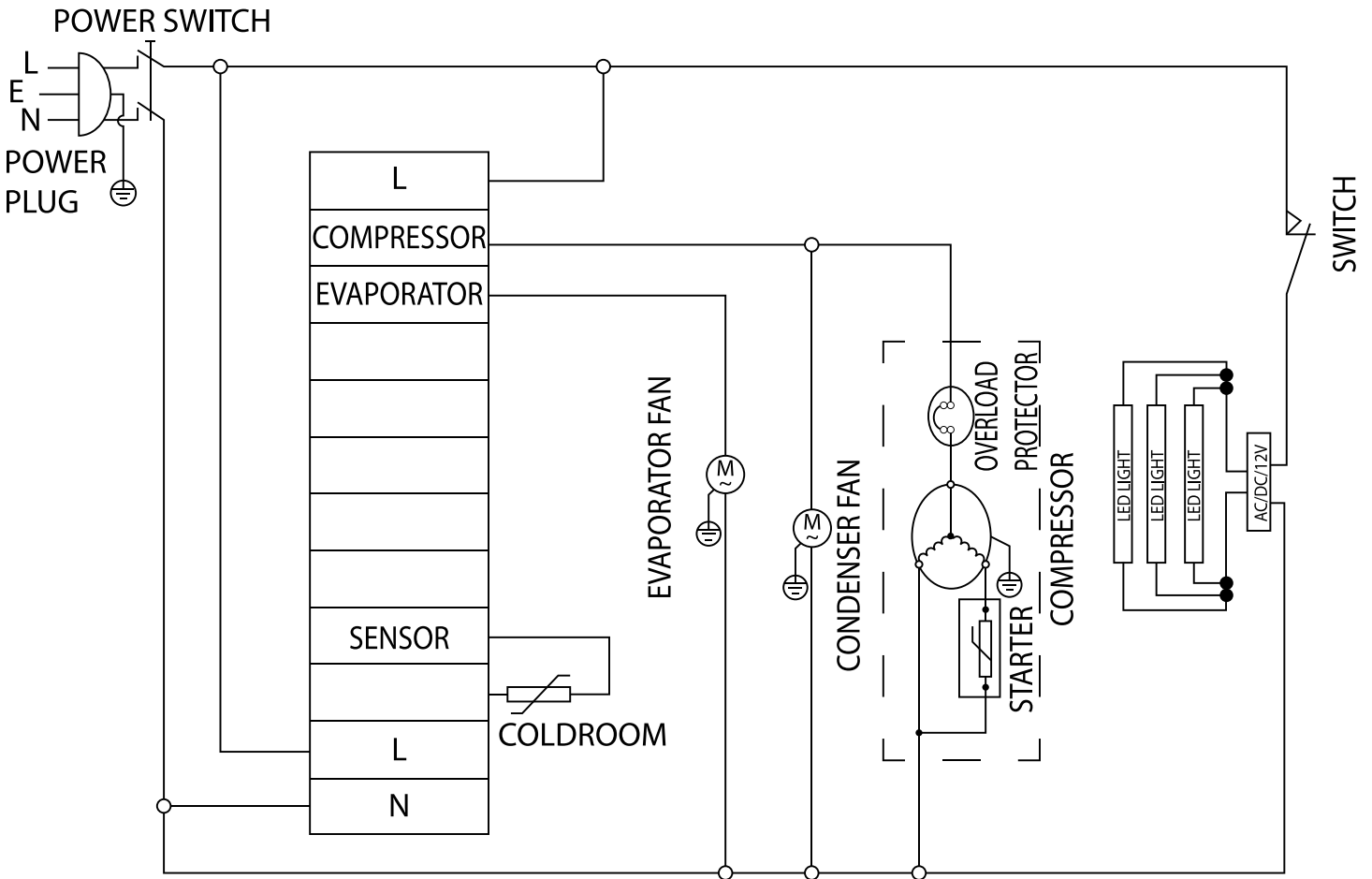


NEMA
5 - 15P
125VAC / 15 AMP

Electrical Schematics

Model RE-CN-0045E-HC 59032

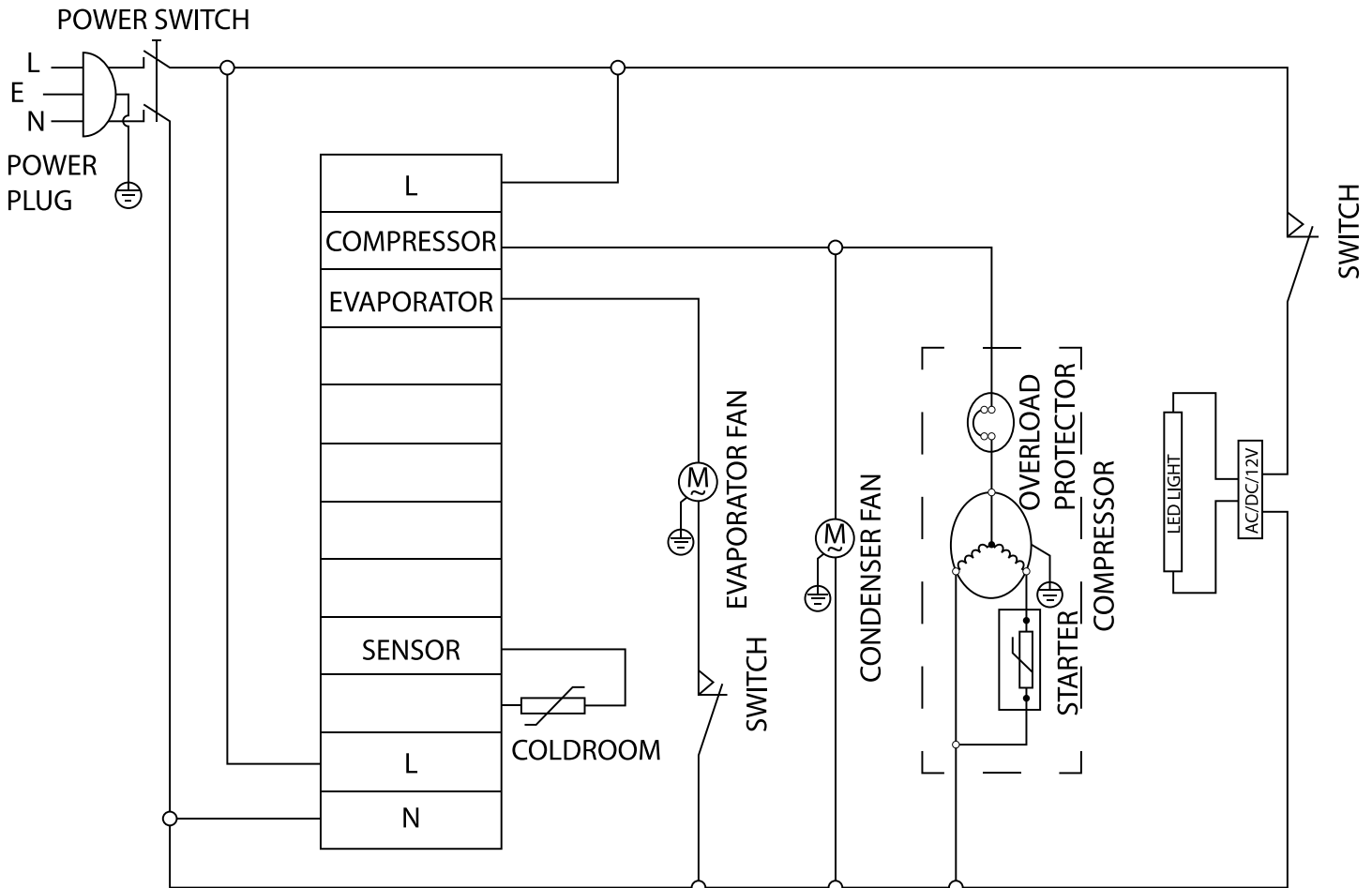
Model RE-CN-0045EB-HC 59132



Electrical Schematics

Model RE-CN-0009E-HC 59033

Model RE-CN-0009EB-HC 59133



NEMA
5 - 15P
125VAC / 15 AMP



Warranty Registration

Thank you for purchasing an Omcan product. To register your warranty for this product, complete the information below, tear off the card at the perforation and then send to the address specified below. You can also register online by visiting:

Merci d'avoir acheté un produit Omcan. Pour enregistrer votre garantie pour ce produit, complétez les informations ci-dessous, détachez la carte au niveau de la perforation, puis l'envoyer à l'adresse spécifiée ci-dessous. Vous pouvez également vous inscrire en ligne en visitant:

Gracias por comprar un producto Omcan usted. Para registrar su garantía para este producto, complete la información a continuación, cortar la tarjeta en la perforación y luego enviarlo a la dirección indicada a continuación. También puede registrarse en línea en:

<https://omcan.com/warranty-registration/>

For mailing in Canada

Pour postale au Canada

Por correo en Canadá

OMCAN

PRODUCT WARRANTY REGISTRATION

3115 Pepper Mill Court,
Mississauga, Ontario
Canada, L5L 4X5

For mailing in the US

Pour diffusion aux États-Unis

Por correo en los EE.UU.

OMCAN

PRODUCT WARRANTY REGISTRATION

4450 Witmer Industrial Estates, Unit 4,
Niagara Falls, New York
USA, 14305

or email to: service@omcan.com



Purchaser's Information

Name: _____

Address: _____

City: _____ Province or State: _____ Postal or Zip: _____

Country: _____

Dealer from which Purchased: _____

Dealer City: _____ Dealer Province or State: _____

Invoice: _____

Model Name: _____ Model Number: _____

Machine Description: _____

Date of Purchase (MM/DD/YYYY): _____

Would you like to extend the warranty? Yes No

Company Name: _____

Telephone: _____

Email Address: _____

Type of Company:

Restaurant Bakery Deli

Butcher Supermarket Caterer

Institution (specify): _____

Other (specify): _____

Serial Number: _____

Date of Installation (MM/DD/YYYY): _____

Thank you for choosing Omcan | Merci d'avoir choisi Omcan | Gracias por elegir Omcan



Since 1951 Omcan has grown to become a leading distributor of equipment and supplies to the North American food service industry. Our success over these many years can be attributed to our commitment to strengthen and develop new and existing relationships with our valued customers and manufacturers. Today with partners in North America, Europe, Asia and South America, we continually work to improve and grow the company. We strive to offer customers exceptional value through our qualified local sales and service representatives who provide convenient access to over 6,500 globally sourced products.

Depuis 1951 Omcan a grandi pour devenir un des "leaders" de la distribution des équipements et matériel pour l'industrie des services alimentaires en Amérique du Nord. Notre succès au cours de ces nombreuses années peut être attribué à notre engagement à renforcer et à développer de nouvelles et existantes relations avec nos clients et les fabricants de valeur. Aujourd'hui avec des partenaires en Amérique du Nord, Europe, Asie et Amérique du Sud, nous travaillons continuellement à améliorer et développer l'entreprise. Nous nous efforçons d'offrir à nos clients une valeur exceptionnelle grâce à nos ventes locales qualifiées et des représentants de service qui offrent un accès facile à plus de 6500 produits provenant du monde entier.

Desde 1951 Omcan ha crecido hasta convertirse en un líder en la distribución de equipos y suministros de alimentos en América del Norte industria de servicios. Nuestro éxito en estos años se puede atribuir a nuestro compromiso de fortalecer y desarrollar nuevas relaciones existentes con nuestros valiosos clientes y fabricantes. Hoy con socios de América del Norte, Europa, Asia y América del Sur, que trabajan continuamente para mejorar y crecer la empresa. Nos esforzamos por ofrecer a nuestros clientes valor excepcional a través de nuestro local de ventas y representantes de los servicios que proporcionan un fácil acceso a más de 6,500 productos con origen a nivel mundial.

